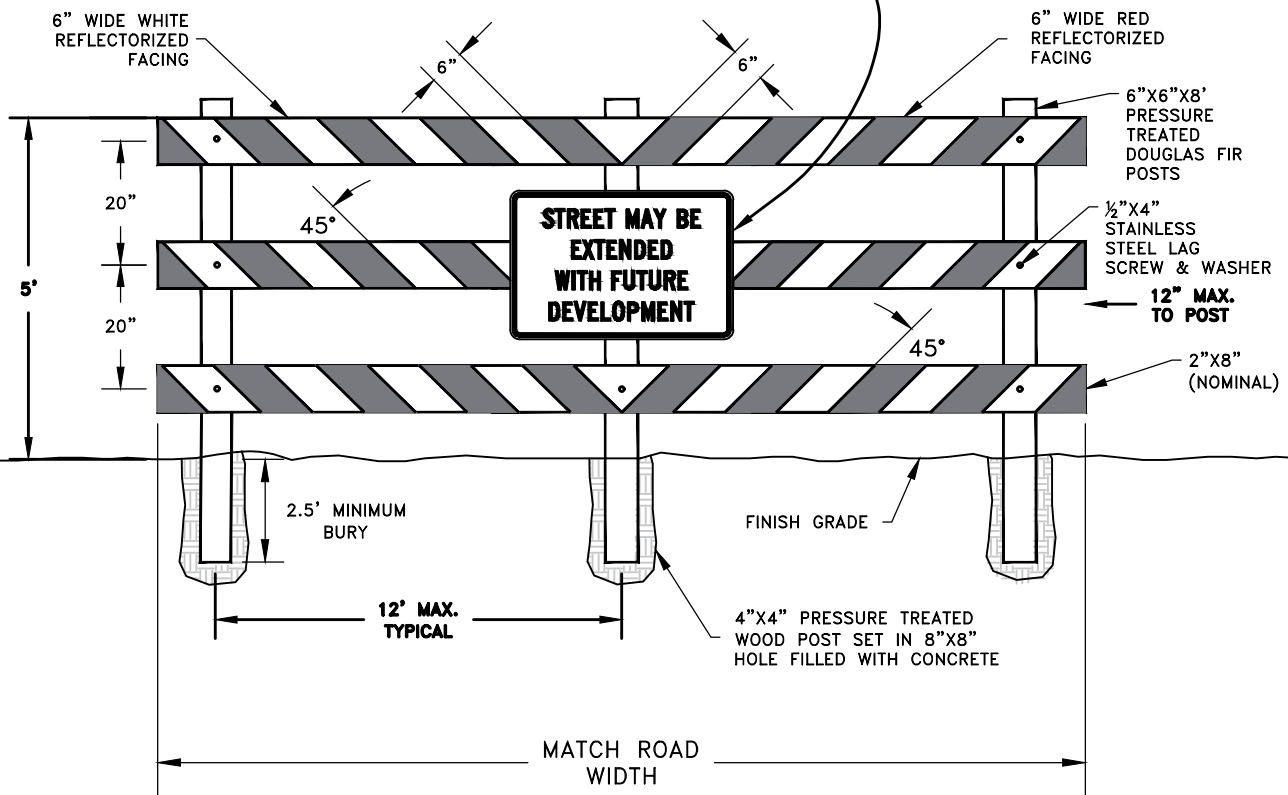
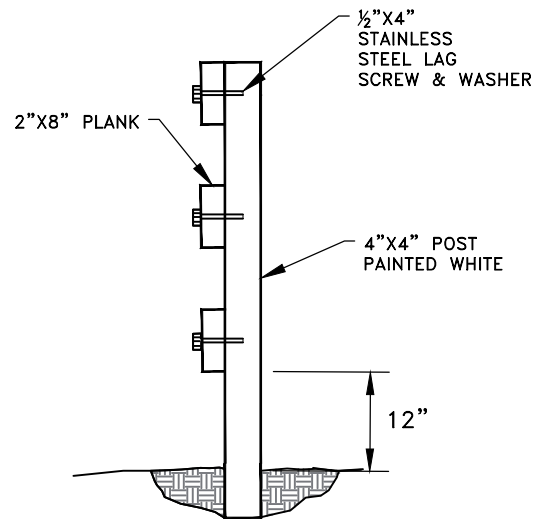


36"x24" SIGN. BLACK LEGEND WITH WHITE BACKGROUND. USE 3" TYPE C LETTERS. SEE STANDARD DRAWING NO. 208 FOR SIGN DETAILS.



TYPE III BARRICADE



BARRICADE SECTION VIEW

**NOTES:**

1. MARKINGS FOR BARRICADE RAILS SHALL BE ALTERNATE WHITE AND RED STRIPES SLOPING DOWNWARD AT AN ANGLE OF 45°.
2. BARRICADE SECTION SHALL EXTEND ACROSS THE ENTIRE STREET AREA. USE DOUBLE BARRICADES AS NECESSARY SEPARATED BY 4".
3. OPTIONS TO USE ALTERNATIVE POST AND PLANK MATERIALS SUBJECT TO APPROVAL OF CITY ENGINEER.

CITY OF ALBANY, OREGON  
PUBLIC WORKS DEPARTMENT

END OF STREET BARRICADE

NO SCALE

FEBRUARY 2024

NO. 212